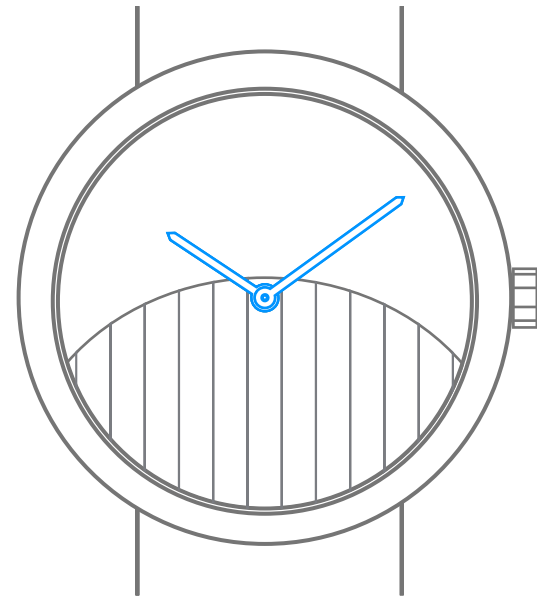


# Van Cleef & Arpels

## Self-winding 24-hour mechanical movement

### 1. Read the time

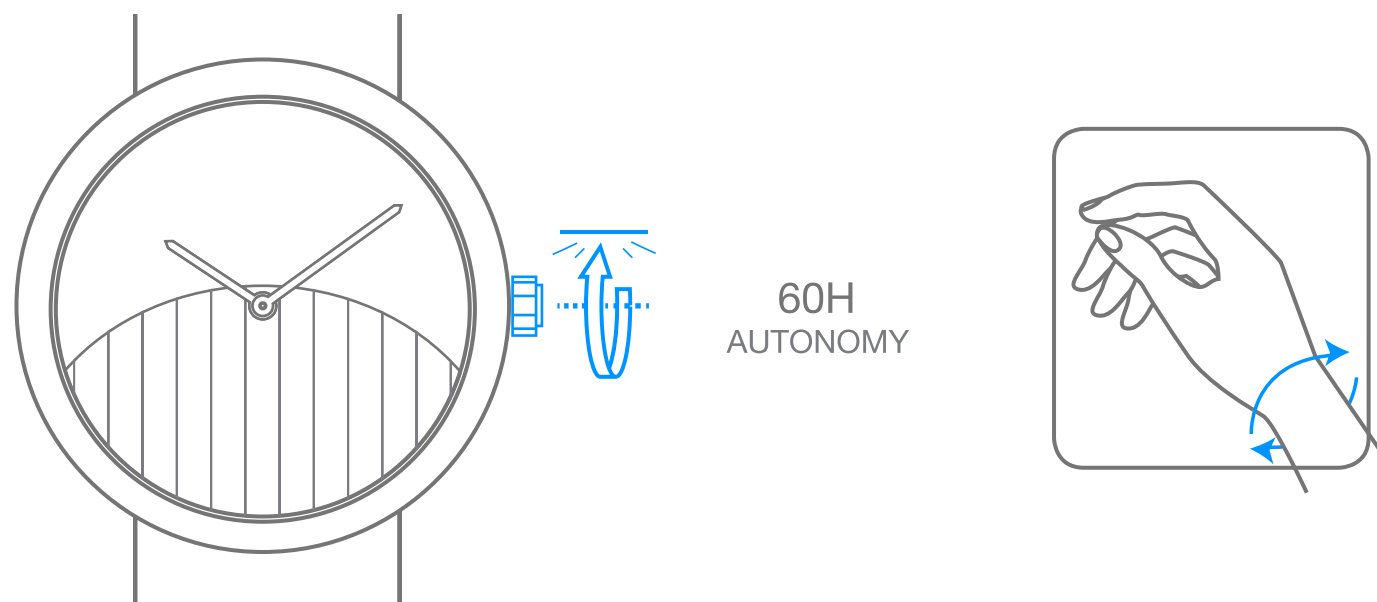
---



10 : 10

### 2. Wind the watch

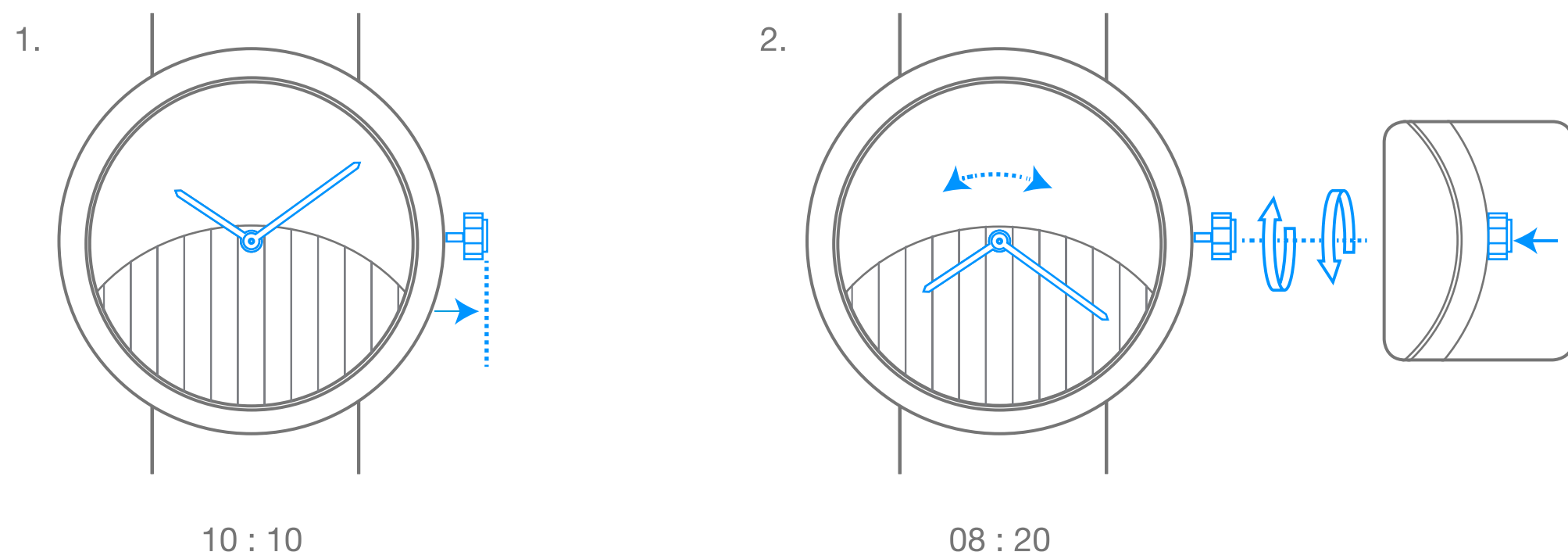
---



60H  
AUTONOMY

### 3. Set the time

---



10 : 10

08 : 20

# Van Cleef & Arpels

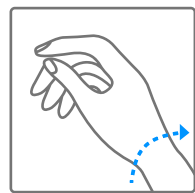
## Pictograms

00h  
AUTONOMY

Your watch's power reserve



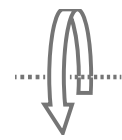
Important note: wait 30 seconds after winding the watch before setting the time



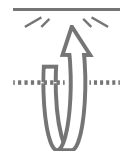
Self-winding through your wrist movement



Turning clockwise



Turning counter-clockwise



Turning clockwise until you meet resistance



Turning counter-clockwise until you meet resistance



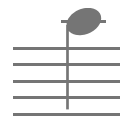
LOCAL TIME

Local time



2<sup>nd</sup> TIME ZONE

Time in selected country



High-pitched sound



Low-pitched sound